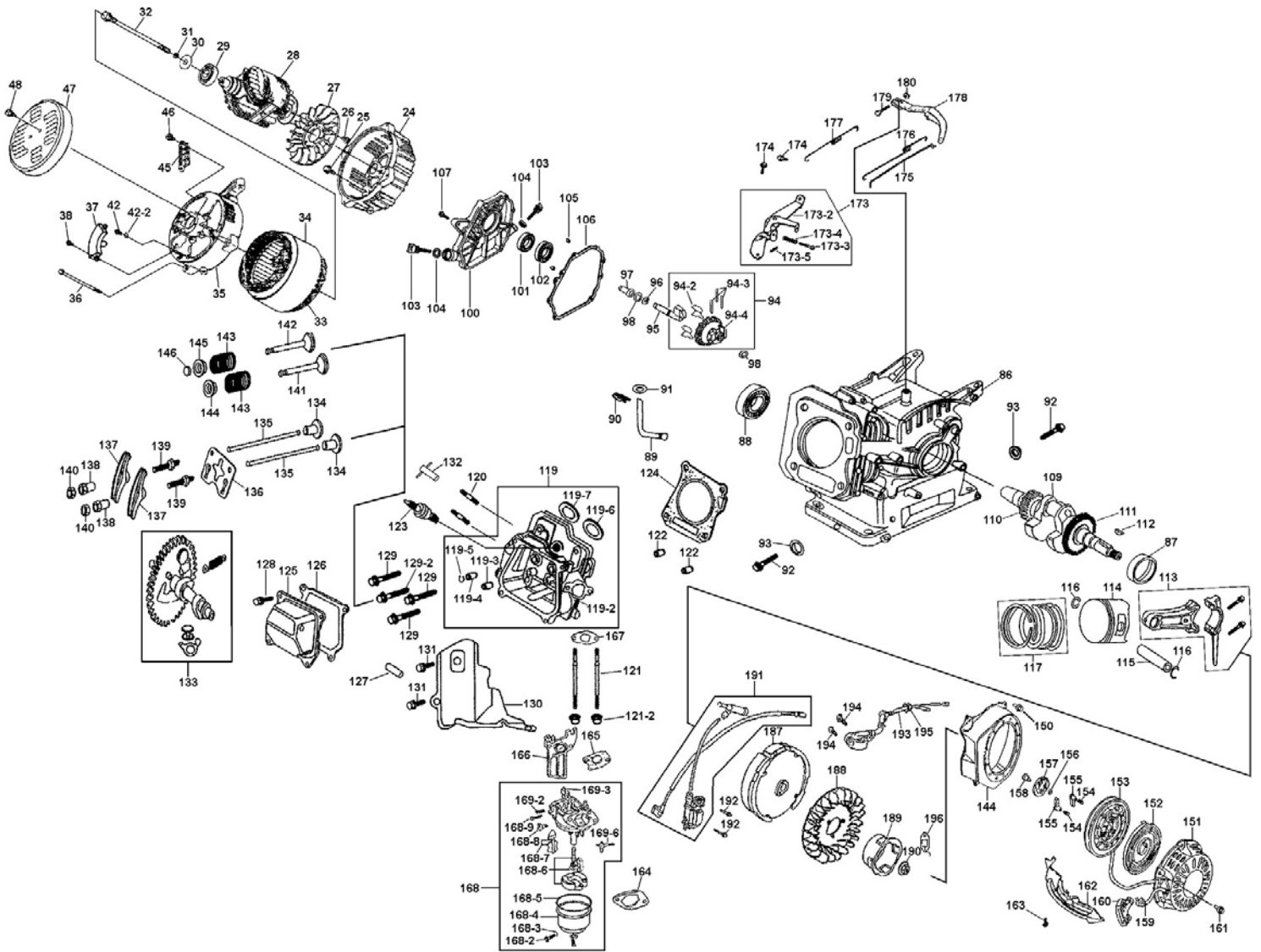
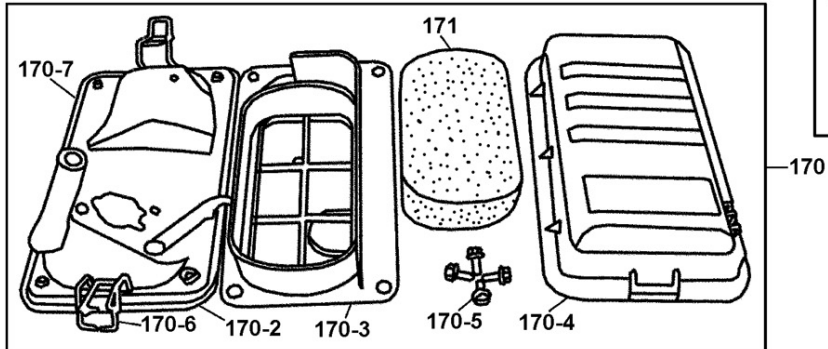
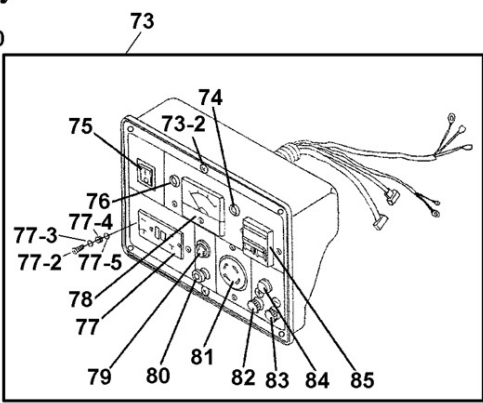
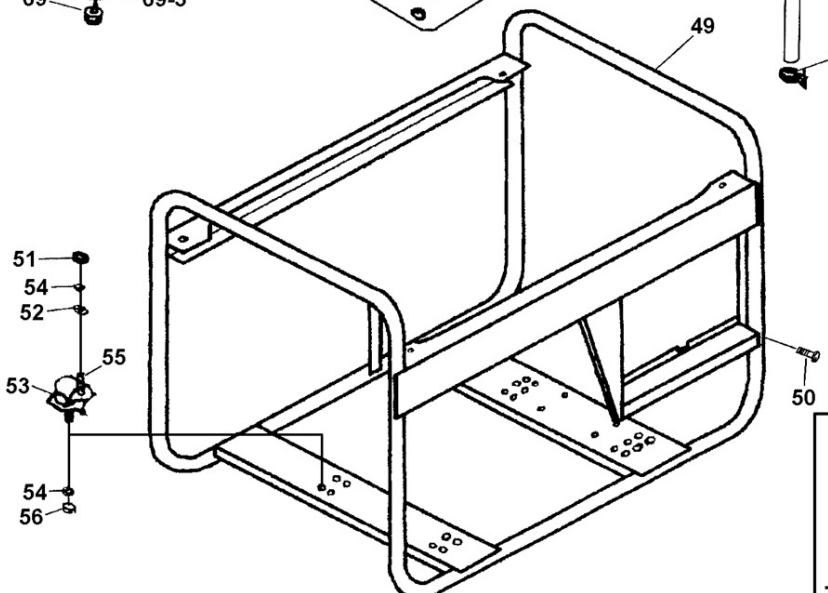
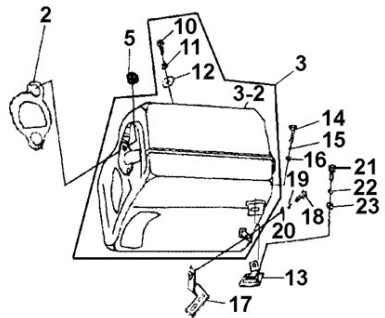
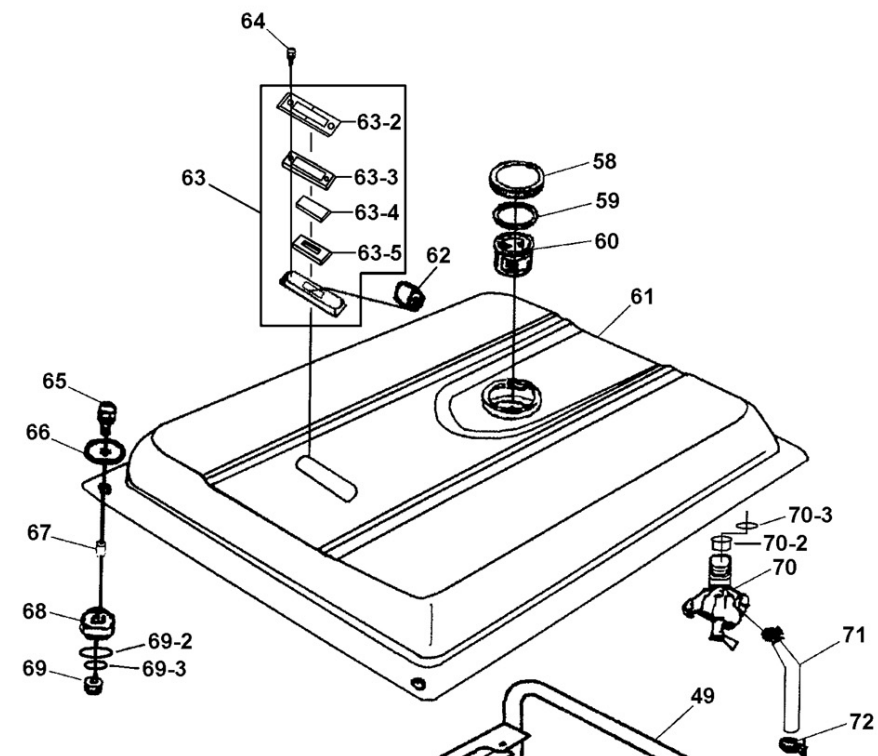


LT3000CL Part List and Diagram





LT-3000CL

Diag. No	Code Number	Part Name
2	25001001	Exhaust gasket
3	25001100	Muffler assembly
3-2		Heat Shroud
5	LMB08	Flange hd hex. nut
10	LSB06012	Flange head bolt
11	TD06	Spring washer
12	PD06	Washer
13	25001004	Muffler support A
14	LSB08020	Flange HD Hex. Bolt
15	TD08	Spring washer
16	PD08	Washer
17	25001005	Muffler support B
18	LSB08020	Flange HD Hex. Bolt
19	TD08	Spring washer
20	PD08	Flat washer
21	LSB06012	Flange hd hex. bolt
22	TD08	Spring washer
23	PD08	Flat washer
24	25002001	Front cover
25	LSB08025	Flange hd hex. bolt
26	LSB05012	Tapping screw
27	25002002	Alternator fan
28	30002100	Rotor
29	25002003	Ball bearing
30	PDC08	Washer
31	TDA08	Spring washer
32	LZA08230	Hex. bolt
33	30002200	Stator assembly
34	30002004	Stator protector
35	25002005	Rear cover
36	LSB06145	Flange hd hex. bolt
37	25002300	Capacitor (1.3-2.5Kw AVR)
38	LSB05012	Flange hd hex. bolt
42	LSB05012	Flange hd hex. bolt

42-2	TD08	Spring washer
45	25002400	Terminal block
46	LSB05012	Flange hd hex. bolt
47	25002007	End cover
48	LSB05012	Flange hd hex. bolt
49	25003100	Frame
50	LDA06012	Pan hd screw
51	LMA08	Hex. nut
52	TDA08	Washer
53	25003200	Shock absorber
54	TDA08	Spring washer
55	LSB05012	Flange hd hex. bolt
56	LMA08	Flange hd hex. nut
58	25004001	Fuel tank cap
59	25004002	Seal for Cap
60	25004003	Fuel Strainer
61	25004100	Fuel tank ass'y
62	25004004	Fuel float
63	25004005	Fuel level Indicator
63-2		Fuel indicator cover
63-3		Top gasket cover
63-4		Glass
63-5		Gasket for glass
64	LDA05010	Countersunk hd screw
65	LSB06012	Flange hd hex. bolt
66	PDB06	Washer
67	25004006	Collar
68	25004007	Rubber grommet
69	LMA06	Hex. nut
69-2		Washer
69-3		Lock washer
70	25004200	Fuel shut-off
70-2		Special nut
70-3		Rubber seal with flange
71	25004008	Fuel pipe
72	25004009	Clip

73		Control panel ass'y
73-2		Special screw
74		Low oil warning indicator light
75		Engine on/off switch
76		Power indicator light
77		Dual (GFI) 120V outlet
77-2		Pan hd screw
77-3		Washer
77-4		Hex. nut
77-5		Spring washer
78		Voltmeter
79		Voltage switch (120v/240v)
80		Ground terminal
81		Twist lock dual 120v/240v outlet
82		DC positive terminal
83		DC negative terminal
84		Fuse
85		Circuit breaker
86	20001001	Crankcase
87	YF254106	Oil seal
88	ZCA6205	Ball bearing
89	16001002	Governor arm shaft
90	16001003	Lock pin
91	16001004	Washer
91-2		O-ring
92	LSB10015	Drain plug
93	16001005	Drain plug washer
94	16001100	Governor kit
94-2		Governor weight
94-3		Governor weight pins
94-4		Governor gear
95	16001006	Governor shaft
96	16001007	Governor shaft clip
97	16001008	Governor
98	16001009	Washer
100	16002001	Crankcase cover

101	YF254106	Oil seal
102	ZCA6205	Ball bearing
103	16002002	Oil filler cap
104	16002003	Oil filler cap gasket
105	XA0814	Sleeve
106	16002004	Case cover gasket
107	LSC080335	Flange hd hex. bolt
109	16003101	Crankshaft
110	16003102	Timing driving gear
111	16003103	Drive gear
112	YJA0418	Woodruff key
113	16003200	Complete connecting rod
114	16003004	Piston
115	16003005	Piston pin
116	16003006	Piston pin clip
117	16003300	Piston ring set
119	20004101	Cylinder head ass'y
119-2		Cylinder head
119-3		Intake valve guide
119-4		Exhaust valve guide
119-5		Valve guide clip
119-6		Intake valve seat
119-7		Exhaust valve seat
120	LZA08042	Threaded stud
121	LZA06110	Threaded stud
121-2		Flange hd hex. nut
122	XA1016	Sleeve
123	16004200	Spark plug
124	16004001	Cylinder head gasket
125	16004300	Head cover
126	16004002	Head cover gasket
127	16004007	Breather tube
128	LSB06012	Flange hd hex. bolt
129	16004004	Flange hd hex. bolt
129-2	16004004	Flange hd hex. bolt
130	16004005	Wind cover

131	LSB06012	Flange hd hex. bolt
132		Spark plug wrench
133	20005100	Camshaft assembly
134	20005001	Valve pole
135	16005002	Push rod
136	16005003	Push rod guide plate
137	16005203	Valve rocker
138		Rocker pivot pin
139		Pivot nut
140		Special Hex. nut
141	16005004	Intake valve
142	16005005	Exhaust valve
143	16005006	Valve spring
144	16005007	Intake valve spring seat
145	16005008	Exhaust valve spring seat
146	16005009	Valve rotator
149	16006100	Fan hood
150	LSB06012	Flange head hex. bolt
151	16006201	Casing
152	16006202	Spiral spring
153	16006203	Rope reel
154	16006204	Ratchet spring
155	16006205	Ratchet
156	16006206	Friction spring
157	16006207	Spring lid
158	16006208	Flanged retainer bolt
159	16006209	Starter rope
160	16006210	Pull handle
161	LSB06008	Flange head hex. bolt
162	16006001	Starter Shroud
163	LSB06012	Flange head hex bolt
164	16007001	Air cleaner gasket
165	16007002	Carburetor gasket
166	16007003	Connecting block
167	16007004	Inlet gasket
168	20007200	Carburetor assembly

168-2		Float chamber drain screw
168-3		Fiber washer
168-4		Float chamber
168-5		Float chamber gasket
168-6		Float
168-7		Choke butterfly
168-8		Idle adjustment screw
168-9		Mixture adjustment screw
169-2		Spring for mixture adjustment
169-3		Throttle unit
169-6		Choke switch
170	16008200	Air filter assembly
170-2		Air filter housing
170-3		Filter element housing
170-4		Air filter cover
170-5		Flange hd hex. bolt
170-6		Air filter clamps
170-7		Air filter housing seal
171	16008107	Air filter element
173	16009200	Speed control assembly
173-2		Speed support assembly
173-3		Pan head screw
173-4		Control adjust spring
173-5		Control pull spring
174	LSB06012	Flange hd hex. bolt
175	16009001	Governor rod
176	16009002	Throttle return spring
177	16009003	Governor spring
178	16009004	Regulating arm
179	16009005	Governor arm bolt
180	LMB06	Flange bolt
187	16012100	Fly wheel
188	16012001	Cooling fan
189	16012002	Starter pulley
190	16012003	Fly wheel nut
191	16012004	Ignition coil

192	LSB06028	Flange hd hex. bolt
193	16012005	Oil sensor
194	LSB06014	Flange hd hex. bolt
195	LMB10	Special nut
196	16012007	Diode